

Air Pd Switch

Air Pressure Differential

Switch 20-300pa

Description

This series air differential pressure switches are suited in domestic, commercial and industrial areas strong polluted on air conditioning and ventilating systems for:

- filter monitoring;
- correct fan functioning control;
- low pressure and overpressure monitoring.

Features

- Differential pressure for air controls
- Alarm activation at a pre-set value

Specification

Contact: 1 snap-action pole change over contacts

Switch capacity: 5 (0.8) A, 250Vac

Differential: fixed

Working temp.: -30~+85 °C

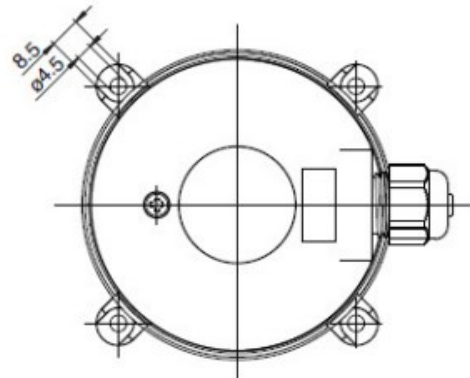
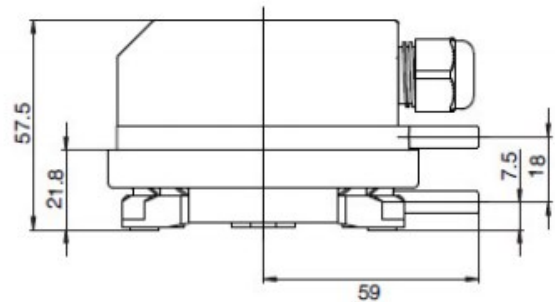
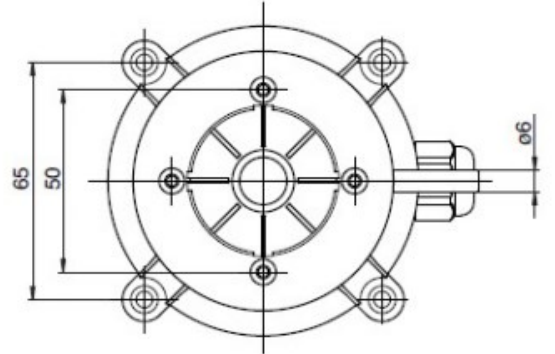
Max pressure: 75 mbar (< 75 °C); 50 mbar (> 75 °C)

Diaphragm: silicon

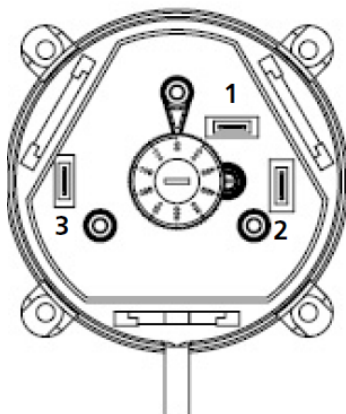
Storage: -30~+85 °C

Housing: PA/ABS/POM Protection: IP54

Dimensions (mm)



Electrical Connection



- 1 N/C Contact
- 2 N/O Contact
- 3 Common

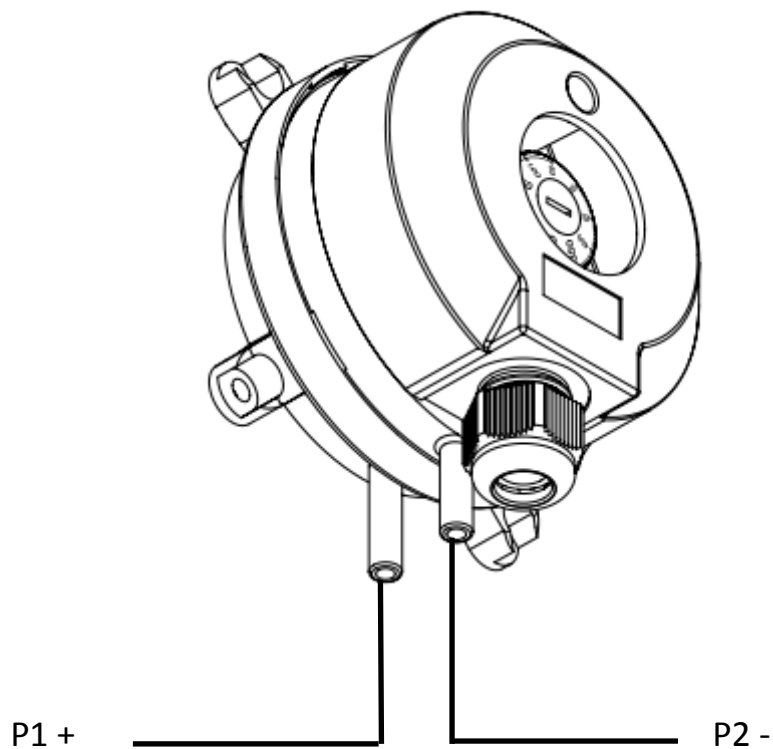
When wiring to a Merlin unit please use terminals 2 & 3.

Air Pd Switch

Air Pressure Differential

Switch 20-300pa

Positioning of tubes



The P1+ tube goes into the ventilation system before the fan.

The P2- is commonly left open to atmosphere, although to increase the sensitivity of the PD switch you can locate the additional tube to after the fan.
