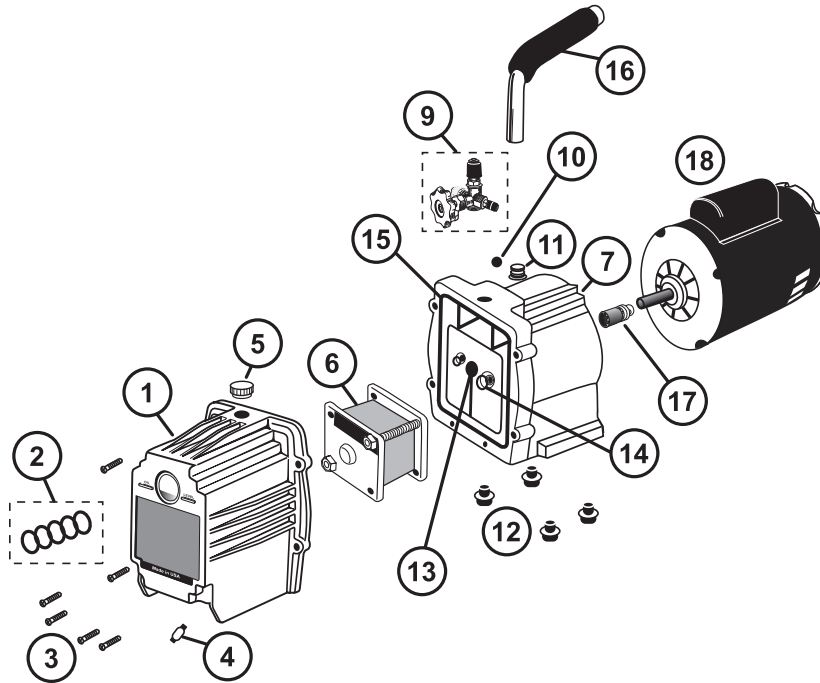




**Mastercool<sup>®</sup> Inc.**  
*"World Class Quality"*

**2, 5, 7.5 CFM TWO STAGE VACUUM PUMP**  
**90062, 90065, 90067 Parts Breakdown**



Ref.#	Description	Part #
1.	PUMP COVER 2 & 5 CFM	90062-12
	PUMP COVER 7.5 CFM	90067-12
2.	SIGHT GLASS ASSEMBLY	90052-14
3.	COVER SOCKET CAP (1 pc.)	90052-33
4.	DRAIN VALVE	90052-28
5.	OIL FILL PLUG W/O-RING	90052-30
6.	CARTRIDGE KIT 2 CFM / 57 LIT/MIN	90152
	CARTRIDGE KIT 5 CFM / 142 LIT/MIN	90165-R
	CARTRIDGE KIT 7.5 CFM / 213 LIT/MIN	90167-R
7.	PUMP HOUSING WITH GUIDE	90062-11-R
8.	INTAKE VALVE ASSEMBLY (2 STAGE)	90056-01
9.	INTAKE TEE (SINGLE STAGE)	90052-31
10.	FLOAT BALL	90052-20
11.	GAS BALLAST FITTING W/O-RING	90052-29
12.	RUBBER FOOT WITH BOLT	90052-38
13.	SHAFT SEAL	90052-06
14.	SMALLER O-RING ON HOUSING	90052-23
15.	PUMP COVER GASKET WITH LIP	90052-13R
16.	PUMP HANDLE WITH GRIP	90062-40
17.	SHAFT COUPLER ASSEMBLY	90062-02-R
18.	MOTOR-115V (2 & 5 CFM PUMPS) 1/3HP	90052-01-R1
	MOTOR-115V (7.5 CFM PUMP) 1/2HP	90057-01-R1

(TO SPECIFY 220V MOTORS, ADD -220 TO PART #)

**LIMITED WARRANTY INFORMATION**

Vacuum Pumps are warrantied against defects in material and workmanship for a period of one year. This warranty does not cover failure due to abuse, improper usage, or progressive wear and tear. Warranty becomes valid to the original owner and is effective on the purchase date.

**WARRANTY SERVICE IS PROVIDED THROUGH THE FACTORY ONLY.**

Please contact the service department toll free for parts, service concerns, or to obtain a return authorization number for warranty repair.

**TOLL FREE Warranty Service 1-888-825-6989**